



Radio Frequency Systems



**APM40-6 MOUNTING KIT
INSTALLATION INSTRUCTIONS**

REV. 6 | 2021.08



Mounting Instructions for APM40-6 Kit

SUMMARY

1. Application	3
2. Features	3
3. Mechanical Specifications	4
4. Tools required for installation	4
5. Item numbers for the Mount Kit Hardware.....	4
6. Assembly of components to antenna	5
7. Adjusting the tilt with short beam assembly	7
8. Tightening torque values	8
9. Antenna Mechanical Downtilt Range.....	9
10. Maintenance	9

Mounting Instructions for APM40-6 Kit

1. APPLICATION

The APM40-6/6C Mounting Kit is a mounting hardware option to be used for Base Station Antennas with 1.3m or 0.5m (Only for APM40-6) in length (See Figure 10), which uses mounting interface brackets as shown below. (See Figure: 1~4)

APM40-6/6C 安装支架型号专门用于采用下图所示的天线安装支架类型，间距在 1.3 米（见图 10）或者 0.5 米（只适用于 APM40-6）范围内的安装固定。（见图 1~图 4）

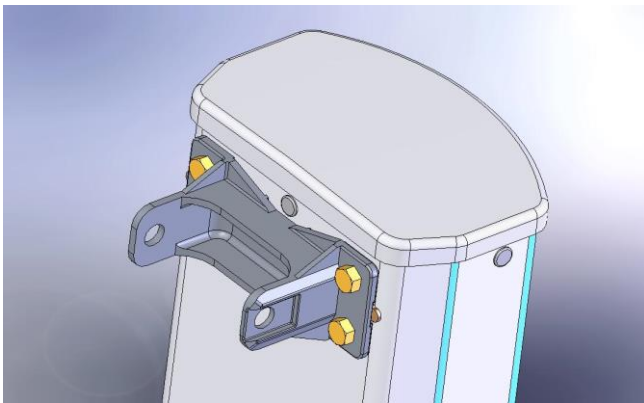


Figure 1 : Top mounting interface bracket
图 1: 天线顶部的安装支架类型

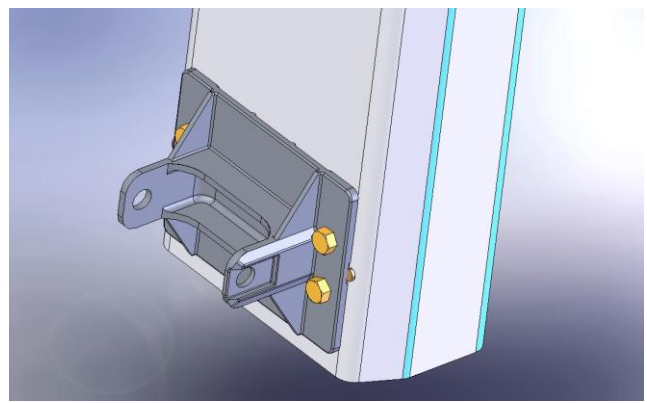


Figure 2 : Bottom mounting interface bracket
图 2: 天线底部的安装支架类型

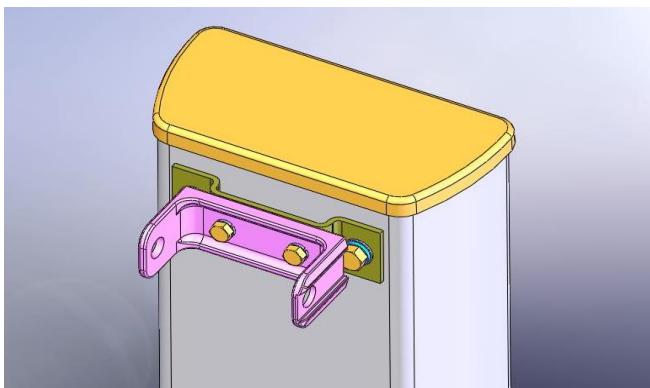


Figure 3 : Antenna bracket & APM40-E4 (TOP)
图 3: 天线顶部的安装支架类型 & APM40-E4

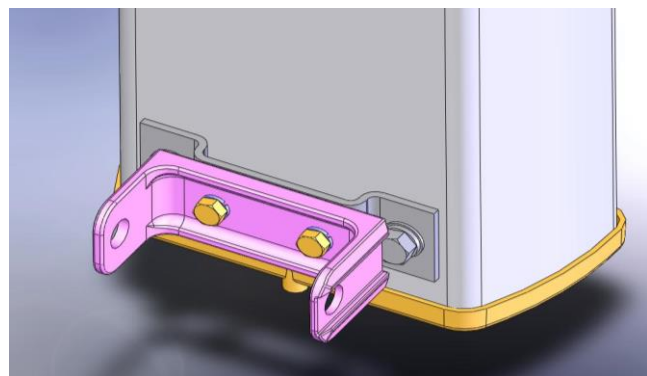


Figure 4 : Antenna bracket & APM40-E4 (BOTTOM)
图 4: 天线底部的安装支架类型 & APM40-E4

2. FEATURES

- Beam sliding tilt mount for mechanical tilt
- 通过调节上下摇臂的夹角调整天线机械下倾角
- Pipe diameter: 50-120mm



Mounting Instructions for APM40-6 Kit

- 抱杆直径：50-120 毫米
- Mechanical downtilt: 0~10° for 1.3m antennas. 0~20° for 0.5m antennas (Only for APM40-6)
- 机械下倾角：1.3 米天线的下倾角调整范围为 0~10°；0.5 米天线的下倾角调整范围为 0~20°（只适用于 APM40-6）

3. MECHANICAL SPECIFICATIONS

Weight of Kit (kg) 安装件重量	4.5
Mounting Kit Material 安装件材料	Aluminum, Galvanized Steel 热浸锌钢板
Tilt adjustment range 倾角调整范围	0~10° @1.3m

Please contact technical support for more information.

可联系相关技术支持部门获取更多信息。

4. TOOLS REQUIRED FOR INSTALLATION

- 13 and 19mm (3/4") AF Spanner or Socket (3/8" drive recommended)
- 13 和 19 毫米开口或套筒扳手
- Torque wrench
- 扭矩扳手

5. ITEM NUMBERS FOR THE MOUNT KIT HARDWARE

ITEM#	DESCRIPTION	QUANTITY
1	BRACKET POLE INTERFACE REAR	2
2	BRACKET POLE INTERFACE FRONT	2
3	BRACKET POLE INTERFACE UPPER	1
4	BRACKET TILT ARM SHORT	1
5	BRACKET TILT ARM LONG	1
6	SPACER TUBE	4
7	BRACKET POLE INTERFACE LOWER	1
8	M12X200mm LARGE CARRIAGE BOLT STL G	4
9	HM12x110 Hot dip Galva ISO4017 class 4.8	4

Mounting Instructions for APM40-6 Kit

10	FLAT WASHER M12N HOT GALVA STEEL	8
11	SPRING LOCK WASHER W12 HOT GALVA STEEL	8
12	HEX. NUT M12 HOT GALVA STEEL	12
13	M8X25mm LARGE CARRIAGE BOLT STL GAL	2
14	HM8x25 Hot dip Galva ISO4017 class 4.8	4
15	M8 FLAT WASHER STL GALV	6
16	M8 SPRING WASHER STL GALV	6
17	M8X1,25 HEX NUT STL GALV	6
18	BRACKET INTERFACE APM40	2
19	Washer Spring M6	4
20	Screw Hex M6x16	4

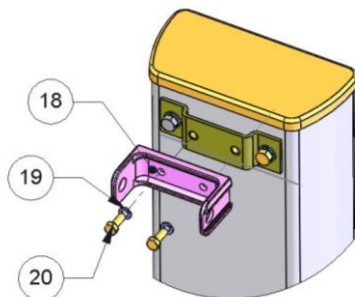


Figure 5 : Interface Bracket Assembly for APM40-B4

图 5 : APM40-E4 支架装配

Attach interface Bracket to antenna with M6 hardware where required. Top and bottom.

用 M6 螺栓将 APM40-E4 型摇臂座安装在天线上，顶部和底部的安装方法相同。

6. ASSEMBLY OF COMPONENTS TO ANTENNA

The antenna should be assembled according to the below instructions.

Mounting Instructions for APM40-6 Kit

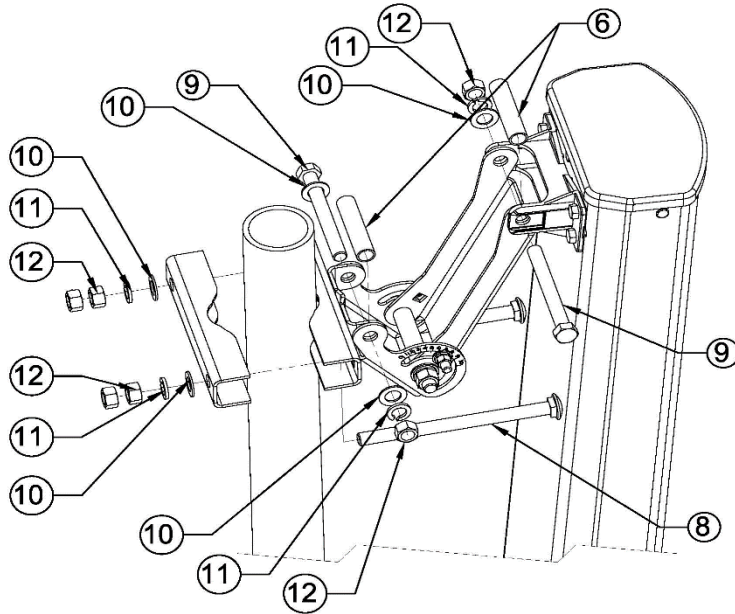


Figure 6a: Detailed left view for top mounting kits

图 6a: 该组装配用于天线顶端固定。

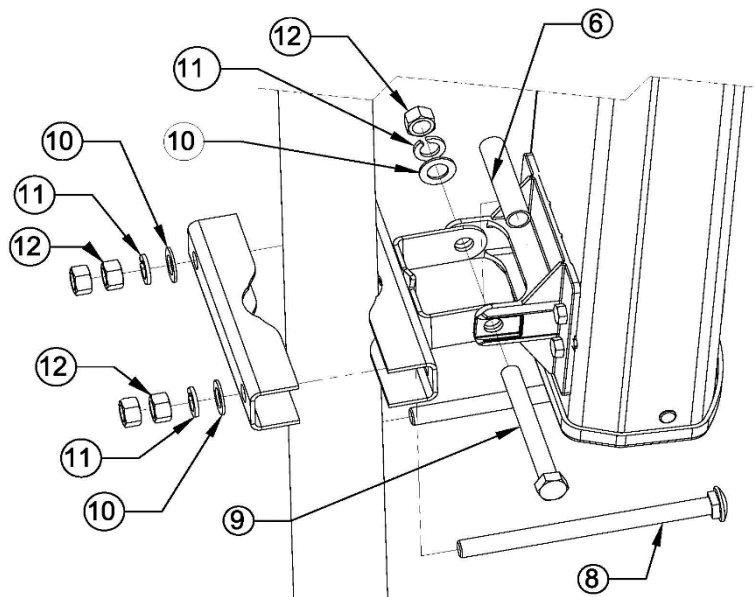


Figure 6b: Detailed left view for bottom mounting kits

图 6b: 该组装配用于天线底端固定。

Mounting Instructions for APM40-6 Kit

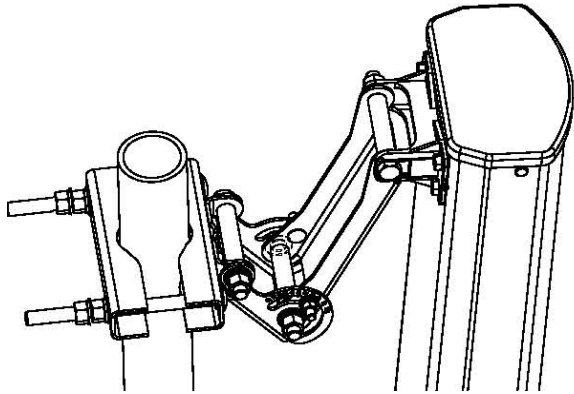


Figure 7: Detailed view for top mounting kits
图 7: 天线顶端固定图示详解

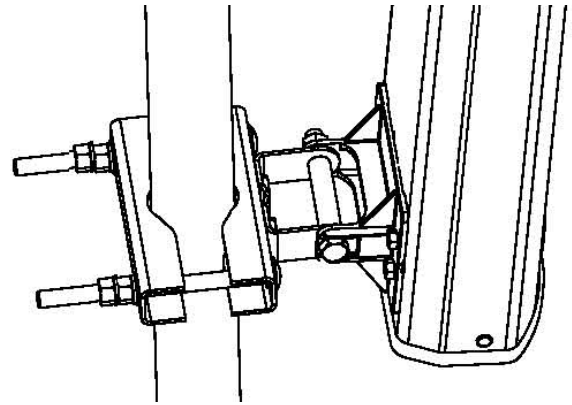


Figure 8: Detailed view for bottom mounting kits
图 8: 天线底端固定图示详解

This assembly attaches pipe to top of antenna. Ensure tilt indicator has **SHORT BEAM** tilt markings visible.
该装配用于抱杆连接到天线顶端。确保可见倾角指示器最小倾角刻度。

7. ADJUSTING THE TILT WITH SHORT BEAM ASSEMBLY

To adjust tilt, loosen pipe clamp bolts, bolts through tilt beams and bolt at antenna bracket base (as shown by arrows). Slide arms up or down pipe to achieve tilt. Align mark with indicator angle. Tighten nuts to lock in position. (See Figure 9; 10; 11)

调整机械倾角时，拧松上下摇臂的螺栓和天线底部支架的螺栓（如图中箭头所示），调节上下摇臂之间的夹角直至得到所需倾角位置，并对准倾角指示器的倾角刻度，最后，拧紧螺母固定。（见图 9、10、11）

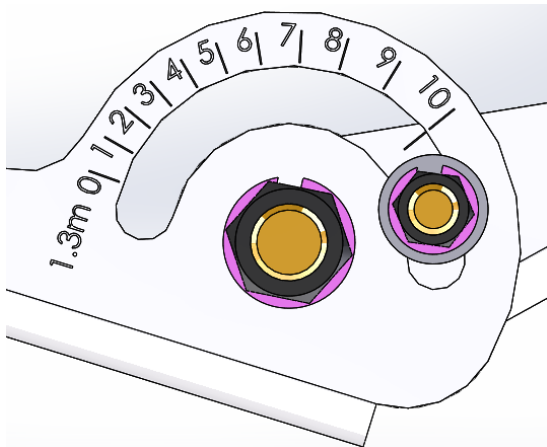


Figure 12: 0~10° for 1.3m antennas

图 12: 1.3 米天线机械下倾 0~10° 标记线

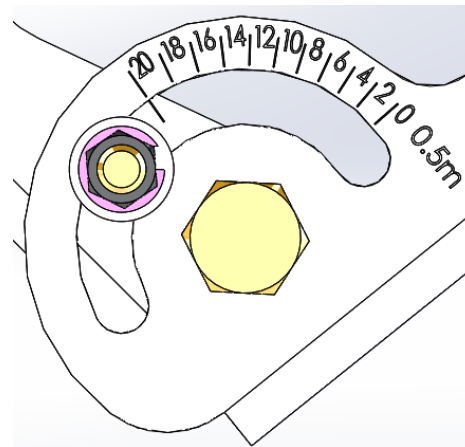


Figure 13: 0~20° for 0.5m antennas (Only for APM40-6)

图 13: 0.5 米天线机械下倾 0~20° 标记线 (只适用于 APM40-6)

Mounting Instructions for APM40-6 Kit

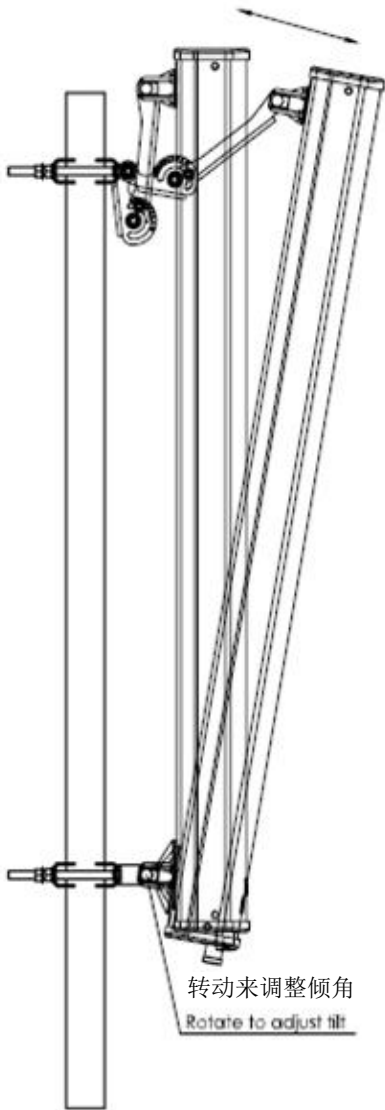


Figure 9 : Adjusting Tilt

图 9: 调整倾角

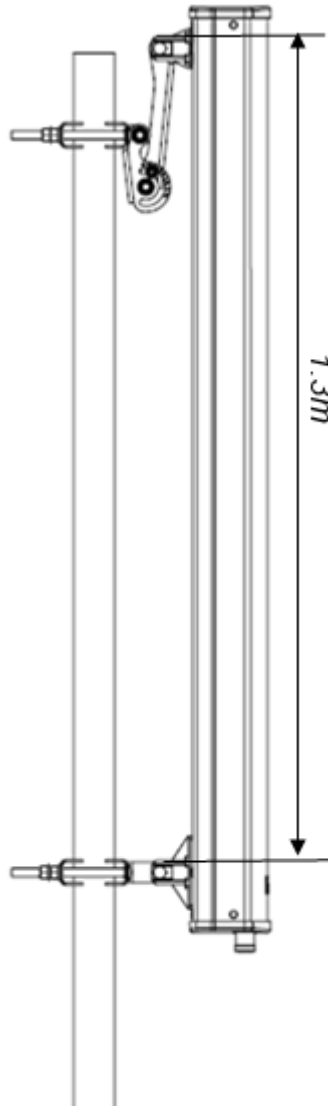


Figure 10 : 0° Tilt

图 10: 倾角 0° 时

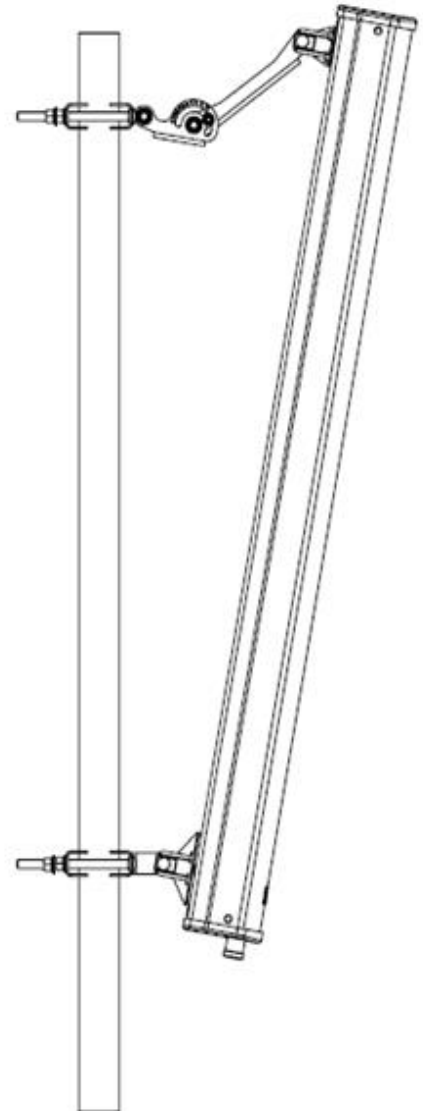


Figure 11 : 10° Tilt

图 11: 倾角 10° 时

8. TIGHTENING TORQUE VALUES

Unless otherwise stated, the following general tightening torque values shall be used for metric hexagon bolts and screws, coarse pitch threads, property class 4.6 or over.

MAKE SURE THAT ALL BOLTS ARE FASTENED BY THE FOLLOWING TORQUE DURING SITE OPERATION.

除非另有说明，以下所示的通用力矩适用于所有公制 4.6 级或以上的粗牙六角螺栓和螺钉。

现场施工时，确保所有螺栓用以下力矩紧固。

Mounting Instructions for APM40-6 Kit

Diameter	Pitch (mm)	Torque (Nm)
M12	1.75	40
M8	1.25	11
M6	1.0	3.5

9. ANTENNA MECHANICAL DOWNTILT RANGE

Antenna Length (mm)	Mechanical Downtilt Range (°)
$L \geq 2600$	0-4
$2200 \leq L < 2600$	0-5
$1800 \leq L < 2200$	0-6
$1400 \leq L < 1800$	0-8
$1000 \leq L < 1400$	0-11
$500 \leq L < 1000$	0-17
$L < 500$	0-20

10. MAINTENANCE

Under normal conditions, no maintenance is necessary. However, the antenna should be visually inspected at regular intervals for damage (e.g.: due to lightning strikes, falling ice, etc.). Periodic checks should be performed to verify correct torque and bracket clearance settings.

正常情况下无需维护。不过，应定期检查天线是否存在因雷击或落冰等原因而造成损坏，以及确认力矩和支架间距是否合格。



Mounting Instructions for APM40-6 Kit

About RFS

Radio Frequency Systems (RFS) delivers the end-to-end RF solutions and expert services needed to evolve wireless and broadcast networks today and tomorrow. Our cables, connectors, antenna systems and RF conditioning products are based on more than 120 years of experience delivering cutting-edge RF solutions and industry firsts. As a result, our solutions are recognized globally for their innovation, superior performance and unmatched quality.

As an ISO-compliant company with global operations, we bring our customers world-class engineering and manufacturing skills backed with comprehensive local support services. Our customers know they can rely on our expertise and commitment to excellence from initial design to final delivery and beyond — whether they're looking to support 5G, deploy small cells, empower smart cities or improve indoor coverage in the most challenging locations.

Australia

Kilsyth
+61 3 9751 8400
Technical Support
Technical.Support@rfsworld.com

Latin America

Sao Paulo
Technical Support
MTS.Latam@rfsworld.com

China

Shanghai
+86 21 3773 8888
Technical Support
Technical.Support@rfsworld.com

France, Italy, Spain

Paris, Vimercate, Madrid
Technical Support
Product.Support@rfsworld.com

Germany

Hannover
+49 511 676 55 - 0
Technical Support
Product.Support@rfsworld.com

India

Gurgaon
+91-124-4092788
Technical Support
Technical.Support@rfsworld.com

North America

Meriden, CT
+1.800.321.4700
Technical Support
ApplicationsEngineering@
rfsworld.com

Mexico

Tlalnepantla de Baz
+52 55 2881-1100
Technical Support
MTS.Latam@rfsworld.com

Russia

Moscow
Technical Support
Product.Support@rfsworld.com

UAE

Dubai
+971 4 568 7979
Technical Support
Product.Support@rfsworld.com

United Kingdom

Haddenham
+44 1844 294900
Technical Support
Product.Support@rfsworld.com